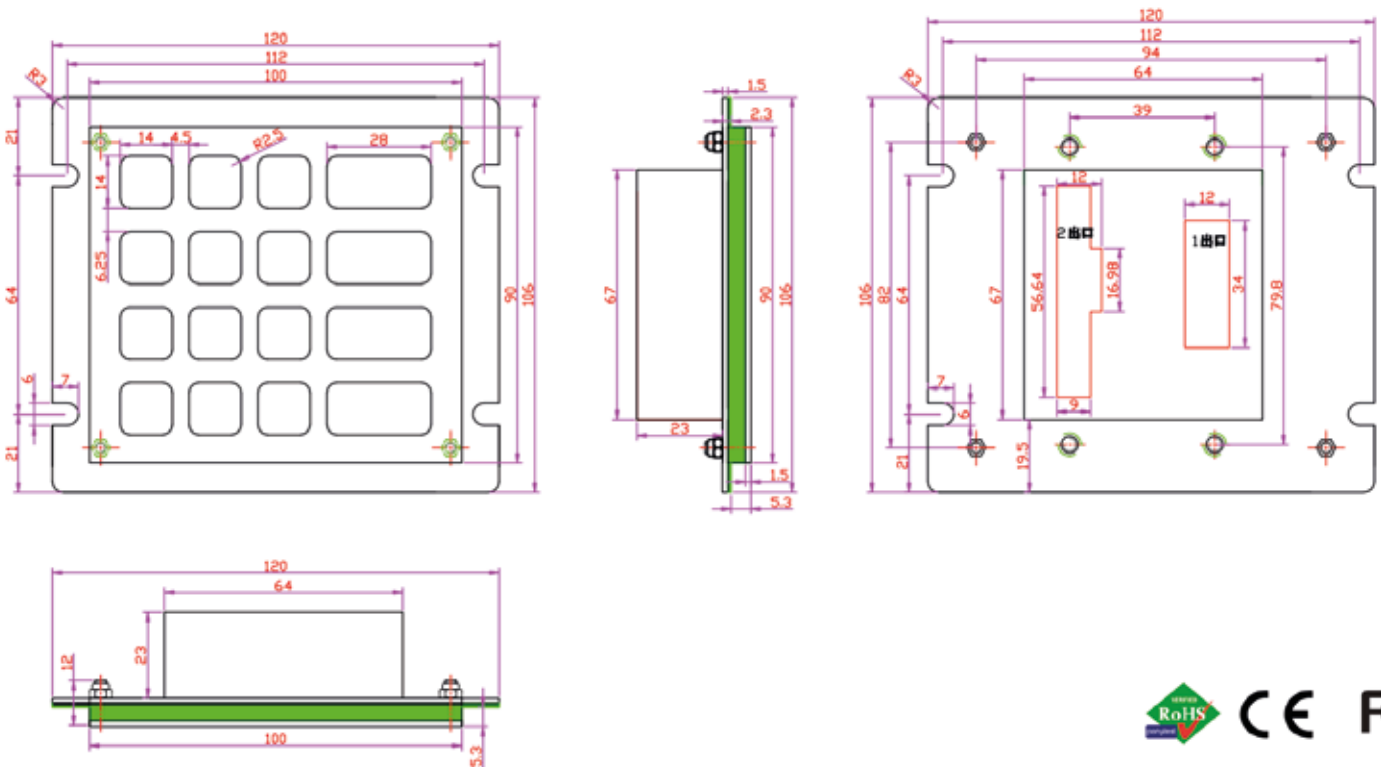


TECLADO ANTIVANDÁLICO INOX

TIPO: TECLADO NUMÉRICO 16 TECLAS / INOX / MONTAJE INFERIOR

DESCRIPTION: 16 keys compact format IP67 dynamic water proof and vandal proof Stainless Steel industrial keypad with industrial metal dome PCB electronics controller shielded & protected by stainless steel housing, industrial metal dome PCB with gold-on-gold key switch technology with short stroke 0.45mm with excellent tactile feeling for stable and accurate data input, rear stainless-steel plate with mounting holes for rear panel mounting. Industrial Backlight (red/blue/white/green) optional. Which is good for outdoor application with direct rain and very harsh environments with humidity, much dynamic water, oil, dirt, salt mist etc., no rust risk and anti-salt spray corrosion.

DIMENSIONS: 100.0mm x 90.0mm (front panel)



APPLICATION

This Keyboard is mainly targeted for use for unsupervised or semi-supervised positions of varied access applications, internet terminals and information kiosks at universities, shopping malls, hotels, banks, airports, railway-stations and other public areas, ticket vending machines, gas stations, cash machines (ATMs/CDM), Internet public phones etc.

MAIN FEATURE

- Imposing stainless steel design, specially designed keyboards meet the highest demands with regard to design, functionality, longevity and high protection level.
- Stainless steel fascia and key-tops guard willful destruction, vandal-proof, against corrosion, weather-proof especially under extreme climatic conditions, water proof/dirt proof, operation under hostile environments.
- Waterproof execution according to IP67 protection from top panel, rear stainless-steel plate with mounting holes and sealing gasket for easy tightly mounting to panel.
- An excellent tactile feel with short travel switches and allow users to achieve stable and accurate data input without any noise. With firm tactile perception for comfortable operation.
- key-tops are laser-etched in legends and characters for easy readability, long life to prevent lettering rub-off.
- Metal keys are protected against twisting and levering which can not be dislodged from front, or defaced removing key covers.
- Ease of customizing with multiple languages, to accommodate foreign or custom variants.
- Complete electronic modules including controller in close consultation with our customers are available.

ELECTRICAL DATA

- Supply Voltage: +5V DC +/-5%
- Current Rating: appr. 20mA
- EMC Standard: It is compliance with the council IEC 61000-4-2:2008; IEC 61000-4-3:2006+AI:2007+A2:2010; IEC 61000-4-4:2004
- EMI: EN 55022: 2010
- EMS: EN 55024: 2010
- Lifespan > 5 years
- Switch Contact Material: Gold-on-Gold key switch technology PCB.
- Interface: PS2, USB, RS232, RS485 available
- **OS : All Windows, Linux, Unix, Mac OSX, VxWorks, Android, (U-cos--To be confirmed)**

COMMUNICATION PARAMETER

PS2/USB:

- Standard PS2/USB keyboard interface.
- 16 actuators: 0, 1, 2, 3, 4, 5, 6, 7, 8, 9, Cancel, Clear, Enter, backup key 3, 4 x 4 scanning code

RS232:

- Standard RS232 serial interface.
- Communication velocity: 9600bps.
- Data format: N, 8, 1.
- 16 actuators: 0, 1, 2, 3, 4, 5, 6, 7, 8, 9, Cancel, Clear, Enter, backup key 3, 4 x 4 scanning code



MECHANICAL DATA

- Front plate: Super quality SUS304 brushed stainless steel
- Back plate: Super quality SUS304 stainless steel
- Actuator/Key: 16 keys, super quality SUS304 brushed stainless steel
- Key top style: protuberant rectangular keys, with laser engraved and etched legends and raised dots available.
- Key size: 14.0mm x 14.0mm for normal key, 14.0mm x 28.0mm for function keys
- Switching material: Gold-on-Gold.
- Actuation Force: 2.0N+/-0.1N for key 14.0mm x 14.0mm (pressure point) 4.0N+/-0.1N for key 14.0mm x 28.0mm (pressure point)
- Key Travel: 0.45mm.
- Key life: more than 5 million of operations
- Dimensions: 100.0mm x 90.0mm.
- G.W. 0.69kg.

ENVIRONMENTAL ADAPTABILITY

- Operating temperature: -20°C to +60°C
- Storage temperature: -30°C to +70°C
- Operating RH: 30-90%
- Atmospheric pressure: 60-106Kpa.
- Saline mist: 96 hours, IEC 60512-6
- Damp heat test at + 40°C: 21 days, IEC 60512-6
- Dry heat test at + 85°C: 10 days, IEC 60512-6

RELIABILITY

- **RoHS Compliant, CE and FCC, ESD**
- **Protection Level: IP67 (front panel)**
- **Vandal resistant IK10**
- Key Lifespan > 5 million actuations
- MTBF >50000H
- MTTR <30min

